



التاريخ: / /

الرقم: .....

تنويه صادر عن اللوازم العامة بخصوص مناقصة رقم ( MOE-GSD/ JFA.8,12,13.312235/2022/136 )

تصنيع وتوريد اثاث مدرسي / الضفة الغربية - لوزارة التربية والتعليم بتمويل JFA

إشارة إلى الموضوع المذكور أعلاه، يرجى العلم أنه قد تم إضافة بنود جديدة للمناقصة المذكورة أعلاه وتعديل الكميات، وعليه يرجى اعتماد جدول التسعير المرفق بدلاً من جدول التسعير الموجود في كراسة المناقصة والمواصفات الفنية الإضافية وجدول التوزيع.

ناصر الخطيب

مكلف بمهام مدير عام اللوازم العامة

رئيس لجنة العطاءات-المركزية



مع العلم أن هذا التنويه جزء لا يتجزء من وثائق المناقصة.



التاريخ: / /

الرقم: .....

Estimated Price

School furniture Directorate of Education /JFA / 2022

NO	Item	Unit	Total Quantity	Unit price \$	TOTAL \$
<b>Group A Include:</b>					
A-1	Student Desk4	Desk	2333		
A-2	Student Chair4	Chair	5095		
<b>Group A sub total</b>					
<b>Group B Include:</b>					
B-1	Student Desk5	Desk	2461		
B-2	Student Chair5	Chair	5103		
<b>Group B sub total</b>					
<b>Group C Include:</b>					
C-1	Student Desk6	Desk	2460		
C-2	Student Chair6	Chair	6111		
<b>Group C sub total</b>					
<b>Group D Include:</b>					
D-1	Teacher Desk (Classroom)	Desk	363		
D-2	Teacher Desk (staff room)	Desk	703		
D-3	Teacher Chair	Chair	843		
D-4	Reading Table	Table	86		
D-5	Working Table	Table	10		
D-6	Technology lab.bench	Table	6		
D-7	Computer Table student /Technology lab	Table	459		
D-8	Student Drawing Table	Table	30		
D-9	Examination Bed	Bed	3		
D-10	Curtaion patient	Curtaion	3		
<b>Group D sub total</b>					
<b>Group E Include:</b>					
E-1	Headmaster/Officer Desk 75X70X150	Desk	106		
E-2	Officer Desk 75X60X120	Desk	98		
E-3	Middle table120*60	Table	4		



التاريخ: / /

الرقم: .....

E-4	Middle table60*60	Table	8		
E-5	Computer Table(Wooden)	Table	61		
E-6	Book Shelves	Cabinet	161		
E-7	Wooden closet shelves with two bottom doors	Cabinet	82		
<b>Group E sub total</b>					
<b>Group F Include:</b>					
F-1	Headmaster/Officer Chair	Chair	165		
F-2	multipurpose chair	Chair	861		
F-3	Visitor Chair (Wood /Chrome)	Chair	24		
F-4	Stool Chair	Chair	763		
<b>Group F sub total</b>					
<b>Group G Include:</b>					
G-1	Metal File Cabinet (4 Drawers)	Cabinet	74		
G-2	Metal Cabinet (2 Doors)	Cabinet	165		
G-3	Metal Cabinet (12 Doors)	Cabinet	6		
G-4	Lab Locker	Cabinet	24		
G-5	Sport Cabinet	Cabinet	2		
G-6	Metal Cabinet (2 Doors)/Technology lab	Cabinet	3		
G-7	Lab Locker/Technology lab	Cabinet	7		
<b>Group G sub total</b>					
<b>Group H Include:</b>					
H-1	Student Desk/ Resource Room	Desk	7		
H-2	Student Chair 6 /Resource Room	Chair	7		
H-3	Student Chair 6/Technology lab	Chair	80		
H-4	Stool Chair/Technology lab	Chair	90		
H-5	Teacher Desk (Classroom)/Technology lab	Desk	3		
H-6	Teacher Chair/Technology lab	Chair	3		
<b>Group H sub total</b>					
<b>GRAND TOTAL \$</b>					





التاريخ: / /

الرقم: .....

### Colour Plan

Paint colour	Item
(5007) blue	Lab Locker/Technology lab
silver (9007)	Metal Cabinet (2 Doors)/Technology lab
(5007) blue	Computer Table/Technology lab
	Teacher Chair/Technology lab
	Student Chair 6/Technology lab
	Student Chair 6 /Resource Room
	Stool Chair/Technology lab
	Teacher Desk (Classroom)/Technology lab
	Technology lab.bench

### Curtain for patient

Dimensions: 180\*170 cm

#### Technical Specifications

##### 1. Metal Framework:

- As shown on attached figure.
- Three metal frames, made of profile (25\*25 mm), (1.25mm) thickness.
- The dimensions of the frame to be 140\*60cm.
- Right & left frame on high-quality wheels.
- The middle frame shall have a base (as shown) (50\*30) cm. plastic heels are to be installed under the legs to elevate the metal parts from the ground.
- All metal pieces shall be welded together properly, strongly and in conformity with regulations.
- CO2 welding shall be used.

##### 2. The panel

- 3panels, made at white cloth.
- Easy to set up and dismantle for storage.
- Washable.
- Fixed to frames by spring rope with 4 screws for each frame.
- The color of the cloth to be white.



##### 3. Painting

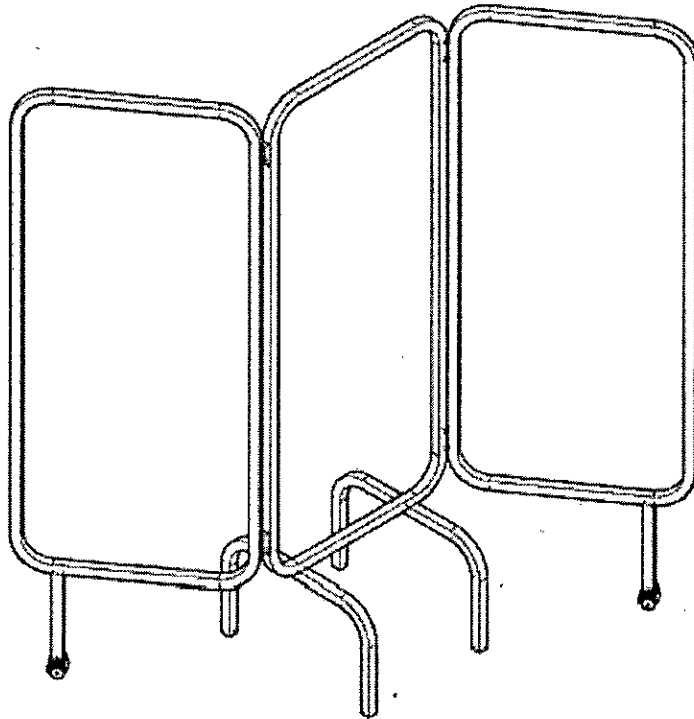
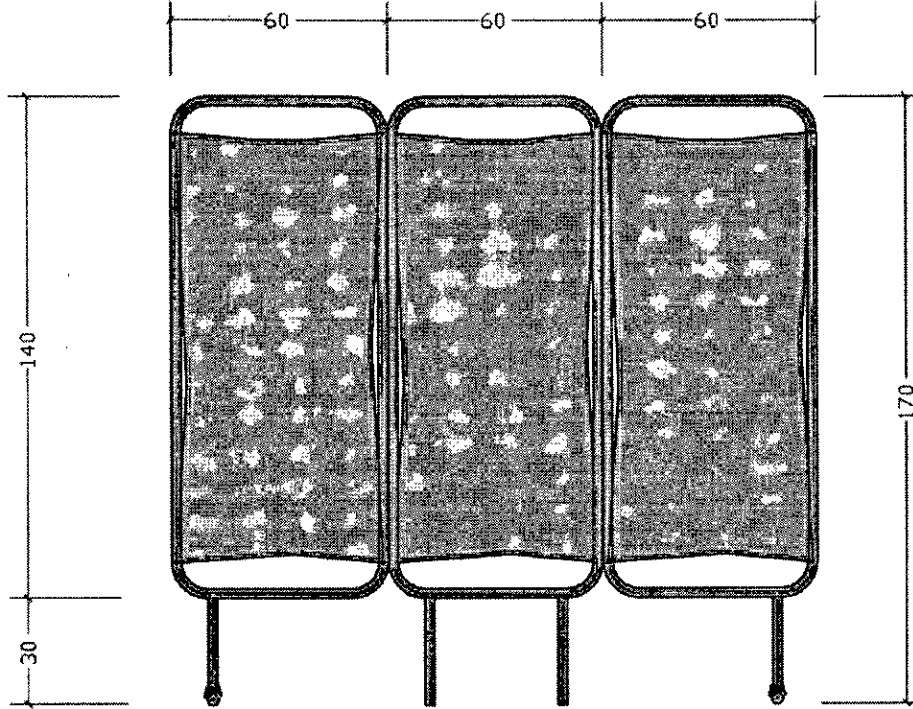
- All metal shall be painted after applying anticorrosive treatment with at least three stages and cleaned from oil, grease, dust, and other dirt using special thermal control painting for metal furniture to form a layer of base painting of (iron phosphate) (0.4 – 0.8) gm/m<sup>2</sup>.
- Automatic spray painting shall be applied to be followed by a drying process in a thermal furnace with suitable temperature and time for the process.
- Thickness of painting (60 – 80) micron.
- (Epoxy polyester powder) paint should be used, color: white.
- Painting of iron, assembly, delivery and storage must be carried out away from climatic influence i.e. sun, dust etc.



التاريخ: / /

الرقم: .....

## Curtain for patient





التاريخ: / /

الرقم: .....

## Examination Bed

### A. General

For the use of students in First-aid Rooms.

### B. Technical Specifications

#### 1. Metal framework

The metal framework shall be made from steel pipe.

The outside Frame shall be painted steel pipe.

The Backrest shall be made of steel and regulable by semiautomatic toothed rack.

The Roll-Holder shall be made of steel and permits the application of disposable sheets in roll-form.

#### 2. Surface of Bed

The surface shall be padded and covered with washable plastic material

#### 3. Dimensions

180 X 60 X 77 cm

#### 4. Painting

- All metal shall be painted after applying anticorrosive treatment with at least three stages and cleaned from oil, grease, dust, and other dirt using special thermal control painting for metal furniture to form a layer of base painting of (iron phosphate) (0.4 – 0.8) gm/m<sup>2</sup>.

- Automatic spray painting shall be applied to be followed by a drying process in a thermal furnace with suitable temperature and time for the process.

- Thickness of painting (60 – 80) micron.

- (Epoxy polyester powder) paint should be used, color: white .

Painting of iron, assembly, delivery and storage must be carried out away from climatic influence i.e. sun, dust etc.

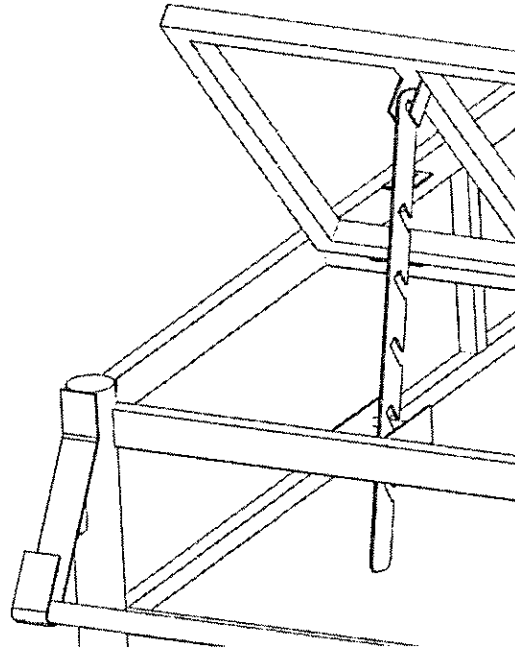
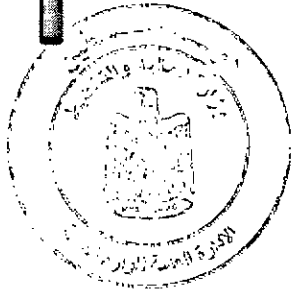
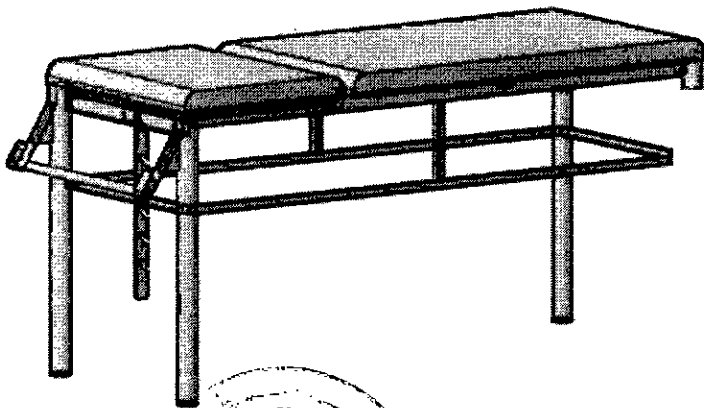
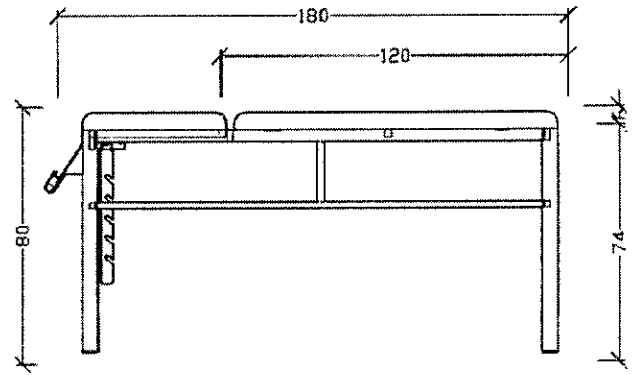
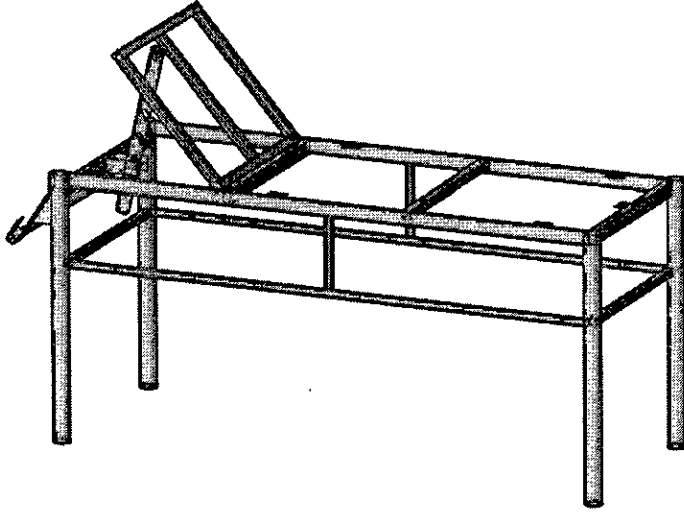




التاريخ: / /

الرقم: .....

## Examination Bed





التاريخ: / /

الرقم: .....

## Visitor chair (wood /chrome)

A: General

B: Technical specifications.

- 1- As shown on figure.
- 2- Arms and legs of chair shall be made of beach wood best quality /OR Chrome high quality.
- 3- The chair back and seat shall be upholstered using sponge (33/35).
- 4- The thickness of sponge for the chair back should not be less than (8 cm) and for the seat not less than (10 cm).
- 5- Good quality leather special for office furniture shall be used for covering the chair back and seat. Color: black.
- 6- The offer shall contain catalogs and/or illustration figures.

### C. Marking of goods:

The supplier shall put his commercial mark on all supplied pieces of goods by stamp or by fixing a sticker properly –approved by the Ministry- on the bottom face of the goods, this mark shall contain the name of the factory, tender No. and the financial resource, in a clear and permanent manner and approved by Ministry.

### D. Packing:

- a-It should be backed unassembled using special cardboard for this type of furniture .
- b-The supplier shall assemble the furniture at his expenses and responsibility ,at the assigned places according to distribution table.







التاريخ: / /

الرقم: .....

## Metal Cabinet (12 Doors)

### A. General

### B. Technical Specifications

#### 1. Metal framework

The whole metal framework shall be made of metal sheets with a minimum thickness of 0.8 mm including the back of the cabinet and the internal shelves.

All metal pieces are to be welded together properly, strongly and in conformity with regulations, using Co2 and point welding.

Plastic heels shall be fixed at the bottom of the cabinet.

#### 2. Dimensions

Length: 193 cm, Width: 90 cm, Depth: 43 cm.

#### 3. Internal division

The cabinet shall be divided into 12 compartments as shown on the attached figure.

Two longitudinal metal partitions 0.8 mm thick shall be installed along the cabinet with a distance of 26 cm between them

Compartments shall be separated by installing 9 fixed shelves 0.8 mm thick inside the cabinet.

#### 4. Doors

Twelve doors for the cabinet shall be installed with properly movable hinge pillars all over the side length of the door.

A cylindrical lock shall be installed to each door made of high quality to lock the door properly.

#### 5. Painting

- All metal shall be painted after applying anticorrosive treatment with at least three stages and cleaned from oil, grease, dust, and other dirt using special thermal control painting for metal furniture to form a layer of base painting of (iron phosphate) (0.4 – 0.8) gm/m<sup>2</sup>.

- Automatic spray painting shall be applied to be followed by a drying process in a thermal furnace with suitable temperature and time for the process.

- Thickness of painting (60 – 80) micron.

(Epoxy polyester powder) paint should be used, colour: beige (ميزد(3010)

and brown (ميزد(6418)

Painting of iron, assembly, delivery and storage must be carried out away from climatic influence i.e. sun, dust etc.

#### 6. Marking of goods:

The supplier shall put his commercial mark on all supplied pieces of goods by stamp or by fixing a sticker properly –approved by the Ministry- on the bottom face of the goods, this mark shall contain the supplier name, tender No. and the financial resource, in a clear and permanent manner and approved by Ministry.

#### 7. Packing:

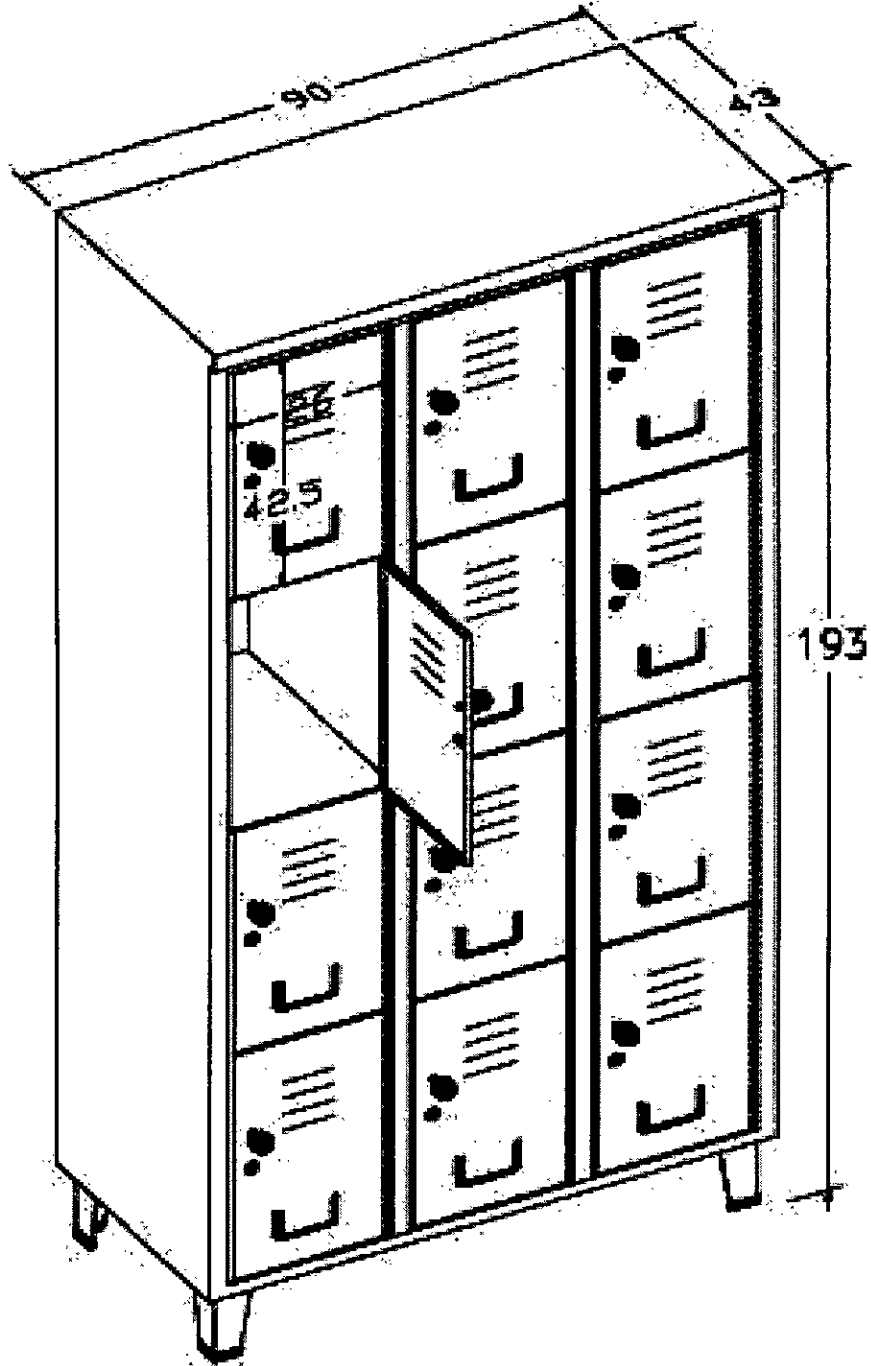
The supplied goods shall be backed by using special plastic sheets or special card board to prevent scratching of paintings and surfaces of goods .



التاريخ: / /

الرقم: .....

Metal Cabinet (12 Doors)





التاريخ: / /

الرقم: .....

## Laboratory Locker

### A. General

### B. Technical Specifications

#### 1. Metal framework

The whole metal framework shall be made of metal sheets.

Thickness: 0.8 mm including the back of the locker.

All metal pieces are to be welded together properly, strongly and in conformity with regulations by using CO2 and point welding.

Plastic heels are to be installed at the bottom of the locker.

#### 2. Dimensions

Length: 194 cm, Width: 90 cm, Depth: 43 cm.

#### 3. Internal division

The locker shall be divided into three parts.

The upper part shall be consisting of two door leaves 96 cm long, with a glass inlet 3 mm thick to be installed on metallic frame this part should have 2 movable shelves as shown on figure.

The middle part consists of 2 metal drawers with plastic pulleys and iron rails 1.25 mm thick for the drawers to slide upon to be installed on both sides.

Drawer's height: 18 cm.

The third part consists of two doors 57 cm long, with one movable shelf.

The doors for the locker shall be installed with properly movable hinge pillars.

A cylinder shall be installed made of chrome to be closed from three sides.

#### 4. Painting

- All metal shall be painted after applying anticorrosive treatment with at least three stages and cleaned from oil, grease, dust, and other dirt using special thermal control painting for metal furniture to form a layer of base painting of (iron phosphate) (0.4 – 0.8) gm/m<sup>2</sup>.

- Automatic spray painting shall be applied to be followed by a drying process in a thermal furnace with suitable temperature and time for the process.

- Thickness of painting (60 – 80) micron.

- (Epoxy polyester powder) paint should be used, color: white

Painting of iron, assembly, delivery and storage must be carried out away from climatic influence i.e. sun, dust etc.

#### 6. Marking of goods:

The supplier shall put his commercial mark on all supplied pieces of goods by stamp or by fixing a sticker properly –approved by the Ministry- on the bottom face of the goods, this mark shall contain the supplier name, tender No. and the financial resource, in a clear and permanent manner and approved by Ministry.

#### 7. Packing:

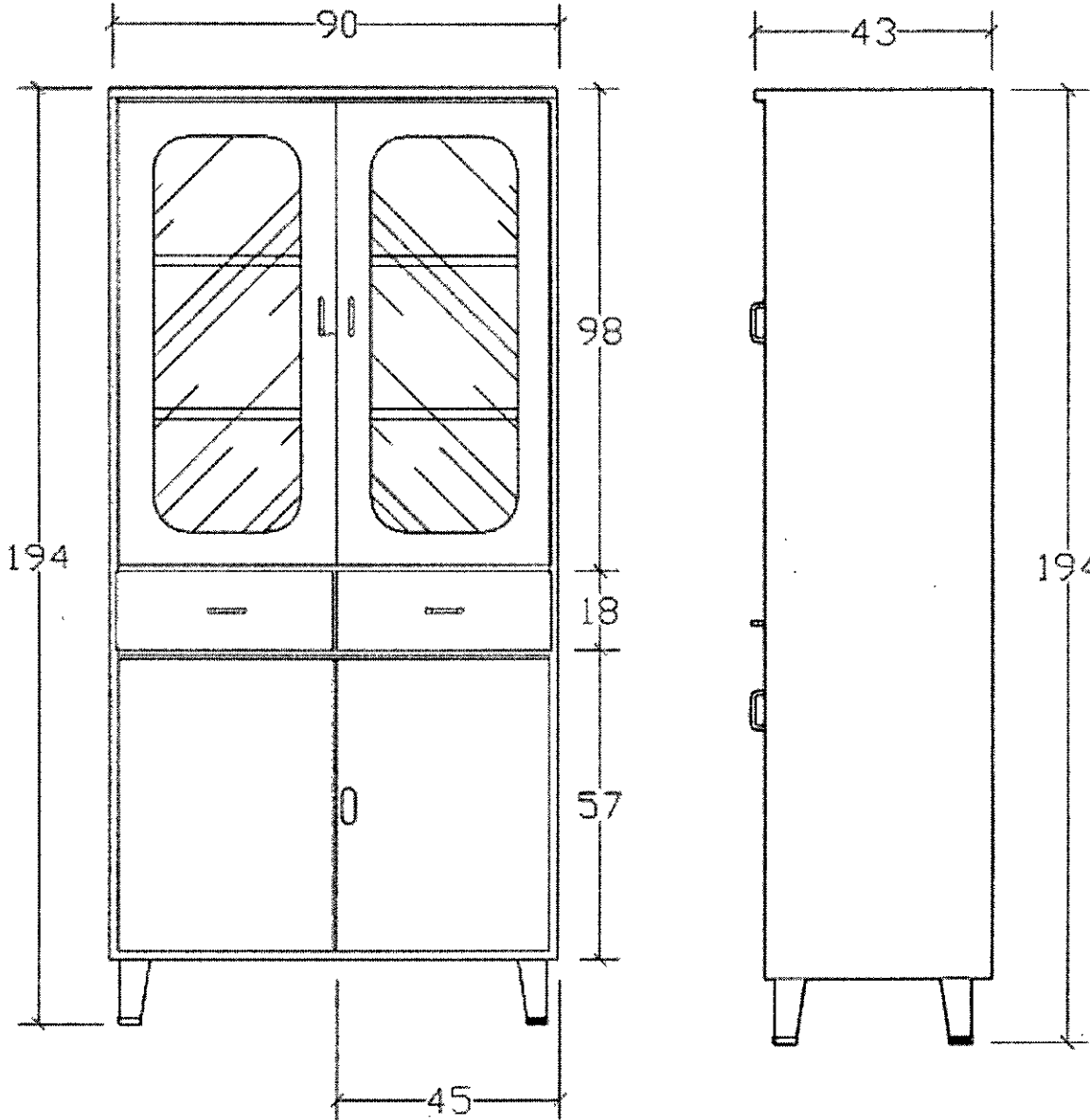
The supplied goods shall be backed by using special plastic sheets (with air babbles) or special card board to prevent scratching of paintings and surfaces of goods.



التاريخ: / /

الرقم: .....

Lab Locker

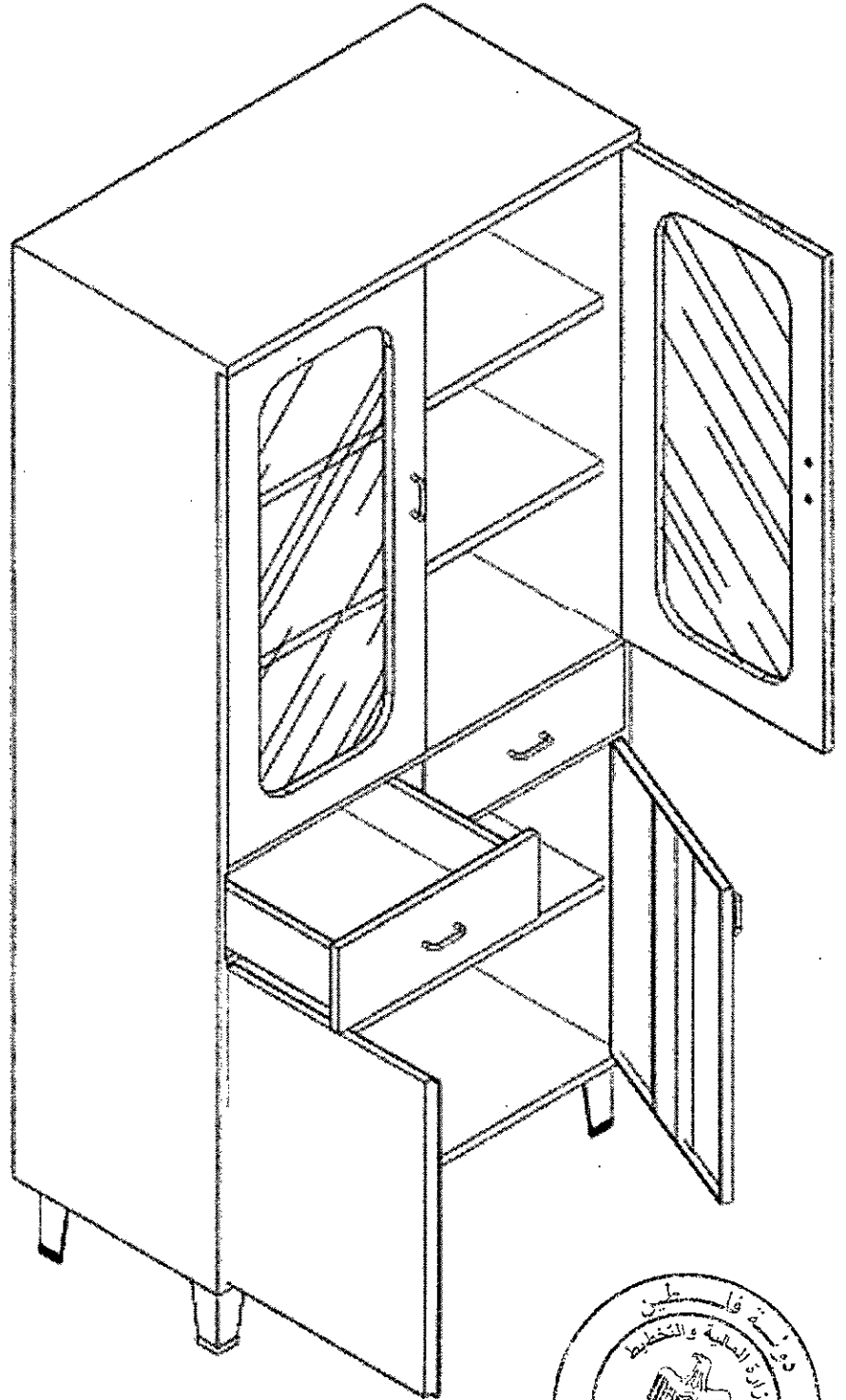




التاريخ: / /

الرقم: .....

Lab Locker





التاريخ: / /

الرقم: .....

## Sports Cabinet

### A. General

### B. Technical Specifications

#### 1. Metal framework

The whole metal framework shall be made of metal sheets with a minimum thickness of 0.8 mm including the back of the wardrobe.

All metal pieces are to be welded together properly, strongly and in conformity with regulations by using CO2 and point welding.

Plastic heels are to be installed at the bottom of the wardrobe.

#### 2. Dimensions

Length: 194 cm, Width: 120 cm, Depth: 45 cm

#### 3. Internal division

Two (2) movable shelves and partition 145 cm long shall be installed with a thickness of 0.8 mm and as deep as the wardrobe.

Two drawers and a cloth-hanging bar shall be installed as shown on attached figures.

Rigid plastic knobs shall be installed for the drawers.

Steel rails and wheels shall be installed for smooth movement of the drawers.

A vertical shelf at the bottom of the cabinet with dimensions of 45 x 45 cm shall be installed as shown in the drawings so that it forms a kind of a box with the sides of the cabinet and the internal partition.

#### 4. Doors

Two doors for the cabinet shall be installed with properly movable hinge pillars.

A cylinder shall be installed made of chrome to be closed from three sides.

All materials used for shelves, partitions, drawers and bars are from metal sheets of thickness 0.8 mm. Metal sheets shall be installed in the middle of the doors to strengthen them with a minimum width of 20 cm having



#### 5. Painting

- All metal shall be painted after applying anticorrosive treatment with at least three stages and cleaned from oil, grease, dust, and other dirt using special thermal control painting for metal furniture to form a layer of base painting of (iron phosphate) (0.4 – 0.8) gm/m<sup>2</sup>.

- Automatic spray painting shall be applied to be followed by a drying process in a thermal furnace with suitable temperature and time for the process.

- Thickness of painting (60 – 80) micron.

(3010)ميزر - (Epoxy polyester powder) paint should be used, color: beige

and brown (6418)ميزر

Painting of iron, assembly, delivery and storage must be carried out away from climatic influence i.e. sun, dust etc.



التاريخ: / /

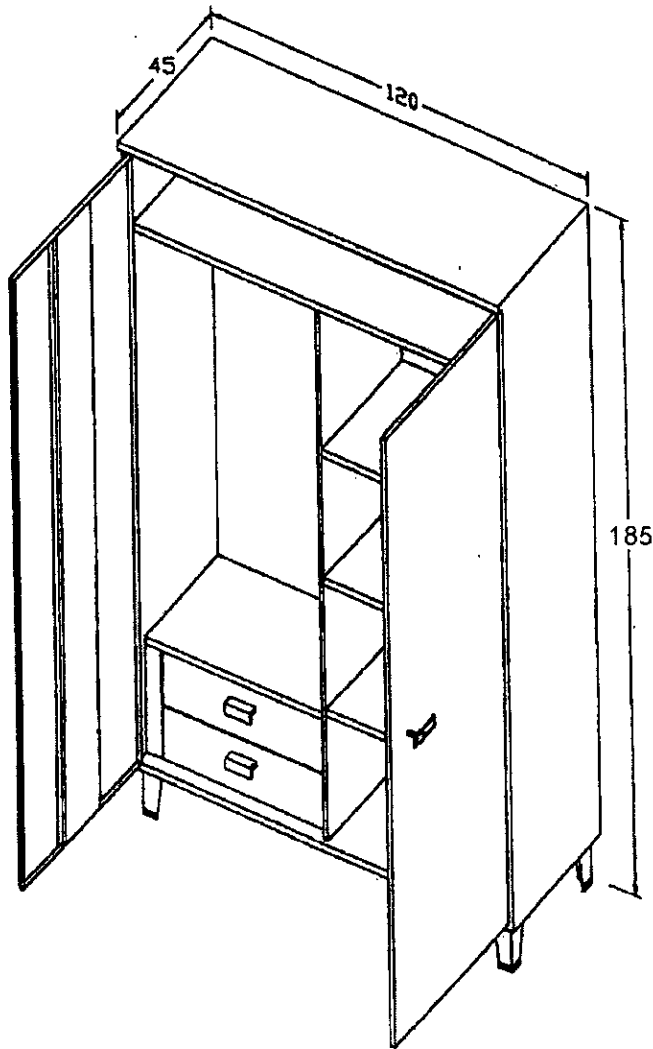
الرقم: .....

#### 6. Marking of goods:

The supplier shall put his commercial mark on all supplied pieces of goods by stamp or by fixing a sticker properly –approved by the Ministry- on the bottom face of the goods, this mark shall contain the supplier name, tender No. and the financial resource, in a clear and permanent manner and approved by Ministry.

#### 7. Packing:

The supplied goods shall be backed by using special plastic sheets (with air babbles ) or special card board to prevent scratching of paintings and surfaces of goods .

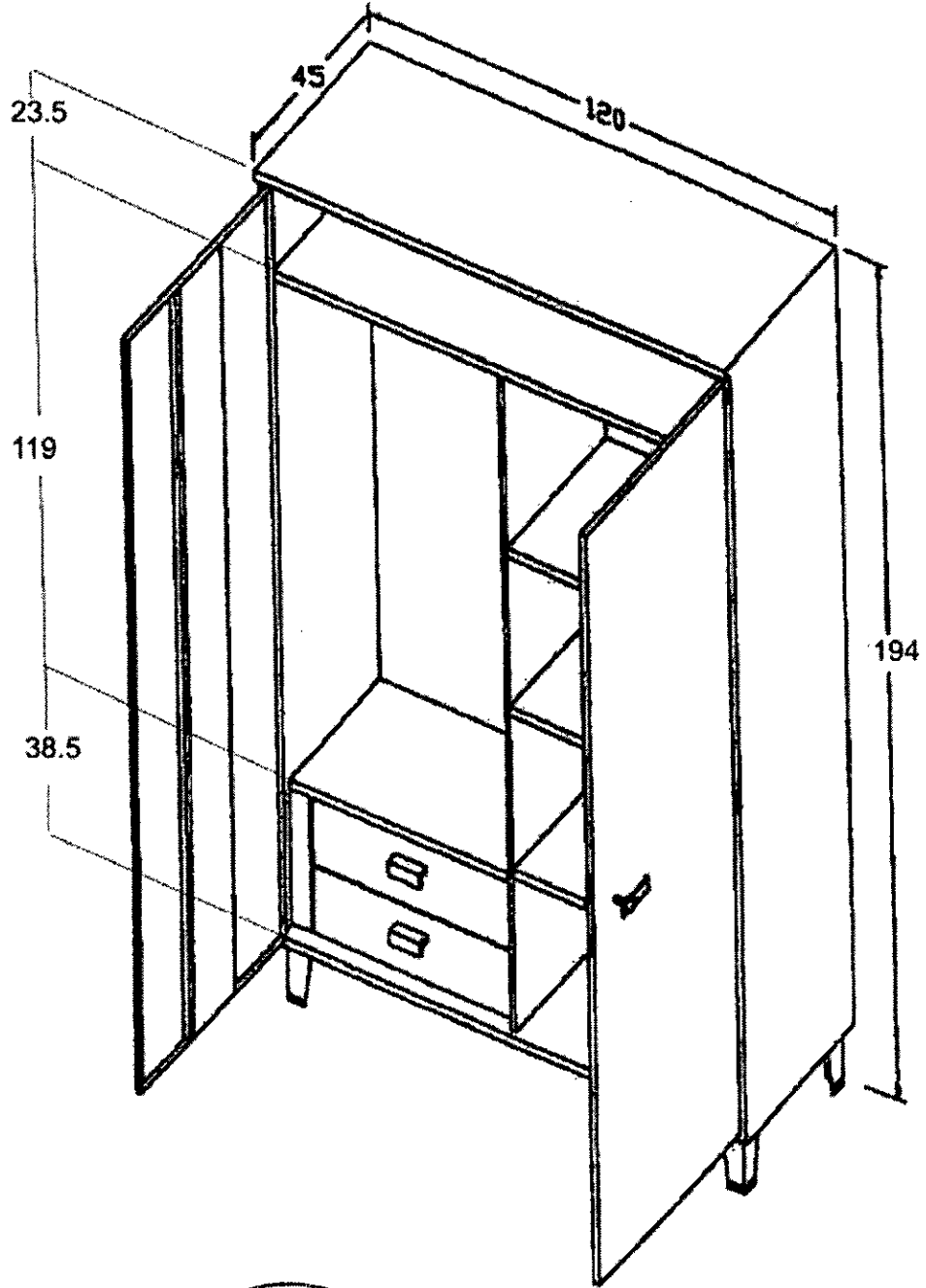


**Sports Cabinet**



التاريخ: / /

الرقم: .....







التاريخ: / /

الرقم: .....

## Student Desk /Resource room



### A. General

For 1 pupil.

### B. Technical Specifications

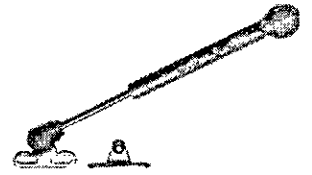
As shown by attached figure

#### 1. Metal framework Adjustable height

- The metal frame shall be made from square steel profile tubes.  
25 x 25 mm and 30 x 30 mm, thickness: 1.25 mm.
- All metal pieces shall be welded together properly, strongly and in conformity with regulations.  
CO2 welding shall be used.
- Four angles (25\*25) mm. (5cm length) shall be fixed on top of framework to fix the wooden box.
- The framework shall be provided by two screws with handles to adjust the height smoothly and firmly.
- All ends of the metal squares must be covered with black plastic covers.
- Plastic heels are to be installed under the legs to elevate the iron parts from the ground.

#### 2. Table wood Box

- The table box shall be made of precut plywood (SANDWICH), best quality, thickness 17 mm, Dimensions: 56 x 46x10cm. It shall be covered with coloured plastic FORMICA on both sides.
- Top Formica thickness: 0.8mm. Color: blue.
- All edges of shell be covered with plastic belt, thickness (2mm).
- The box shall have top door fixed with 2 chromium plated metal hinges (Yugoslavian) of best quality and 2 jacks to help keep the top door. open (as shown by figure).
- The edges of top door shall be rounded as a quarter circle and painted to be smooth as needed.
- The table box shall be fixed on the metal framework using galvanized metal screws, number (8), length (2) cm, and the installation process is done from the bottom.



#### 3. Painting

- All metal shall be painted after applying anticorrosive treatment with at least three stages and cleaned from oil, grease, dust, and other dirt using special thermal control painting for metal furniture to form a layer of base painting of (iron phosphate) (0.4 – 0.8) gm/m<sup>2</sup>.
- Automatic spray painting shall be applied to be followed by a drying process in a thermal furnace with suitable temperature and time for the process.
  - Thickness of painting (60 – 80) micron.
  - (Box polyester powder) paint should be used, color: blue 5007



التاريخ: / /

الرقم: .....

Painting of iron, assembly, delivery and storage must be carried out away from climatic influence i.e. sun, dust etc.

#### 4. Marking of goods:

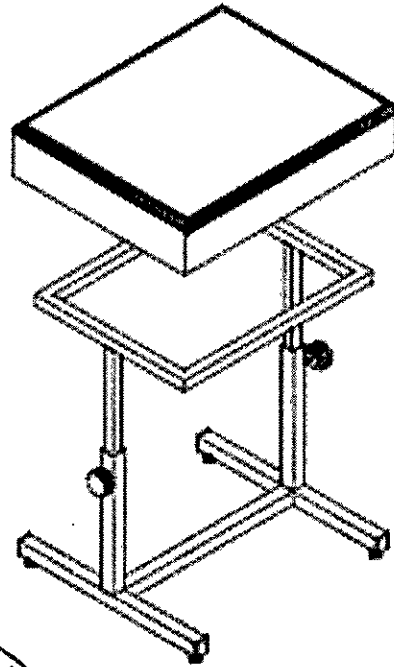
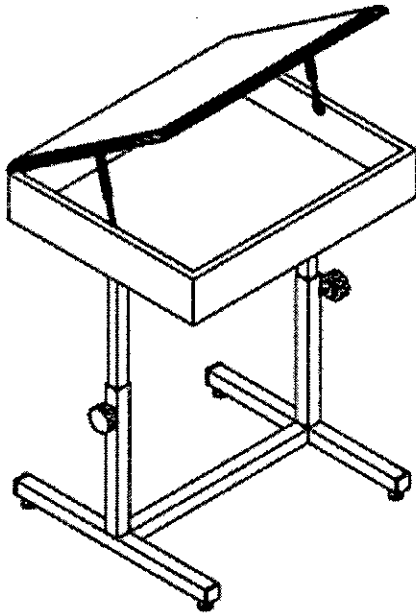
The supplier shall put his commercial mark on all supplied pieces of goods by stamp or by fixing a sticker properly – approved by the Ministry- on the bottom face of the goods, this mark shall contain the name of the factory, tender No. and the financial resource, in a clear and permanent manner and approved by Ministry.

#### 5. Packing:

The supplied goods shall be backed by using special plastic sheets (with air babbles) to prevent scratching of paintings and surfaces of goods.

#### 6. Inspections and tests:

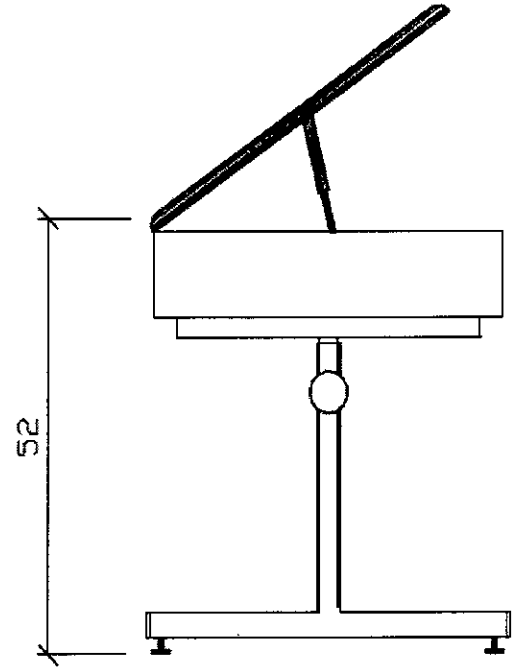
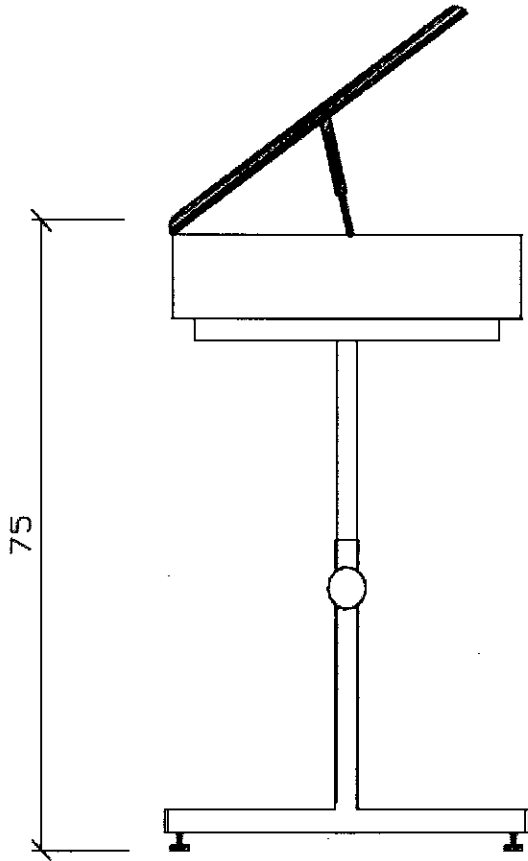
The MEHE has the right to test sample of this item at specialized labs or institutions at the Palestinian Authority area or nearby countries, at the supplier's expenses before and /or after bid award.





التاريخ: / /

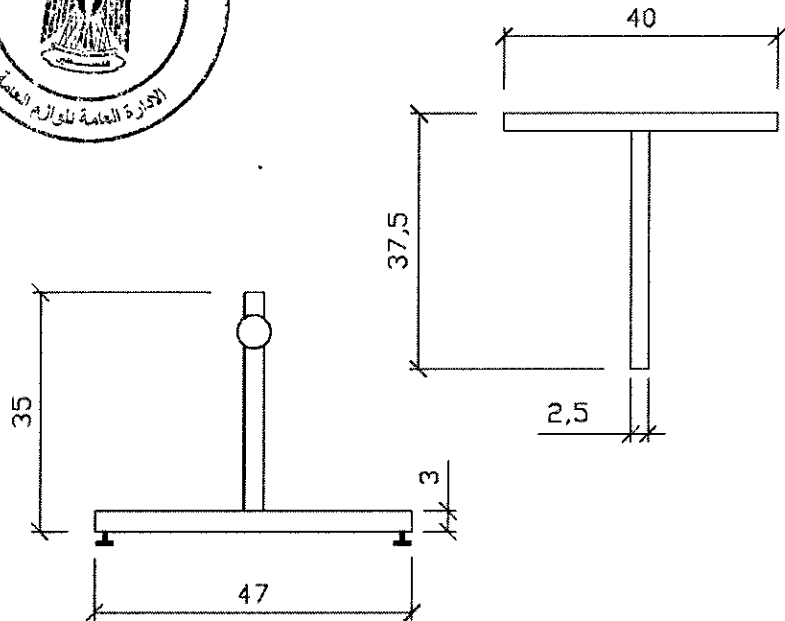
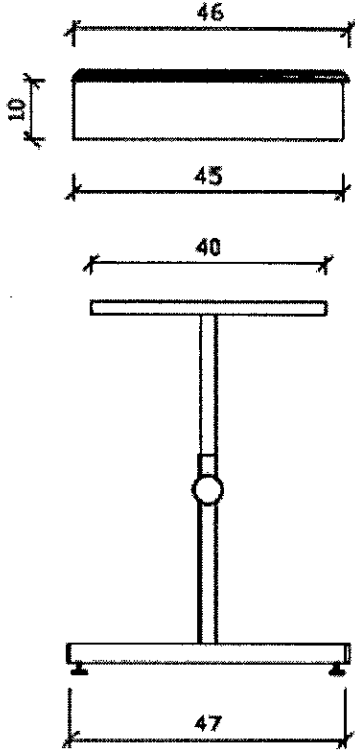
الرقم: .....





التاريخ: / /

الرقم: .....





State Of Palestine  
Ministry Of Finance  
General Supplies Department



دولة فلسطين  
وزارة المالية  
مديرية اللوازم العامة

التاريخ: / /

الرقم: .....

Distribution Table Tender No : 136 /2022

School furniture Directorate of Education /JFA / 2022 جدول توزيع المديرية

NO	Item	Unit	Jenin	Qabatyia	Tubas	Tulkarm	Nablus	S.Nablus	Salfiet	Qalqiya	Ramallah	Birzeit	Jereco	Alram	Jerusalem	Bethlahem	N.Hebron	Hebron	S.Hebron	Yatta	Total Quantity
A-1	Student Desk4	Desk	140	100	25	100	150	0	202	40	150	70	20	65	20	200	200	300	250	101	2133
A-2	Student Chair4	Chair	300	200	50	200	300	0	400	100	500	198		355	42	200	400	600	650	200	4695
B-1	Student Desk5	Desk	150	101	70	175	150	120	100	50	150	80	20	65	40	150	200	300	200	100	2221
B-2	Student Chair5	Chair	400	199	142	300	300	240	197	100	300	210	50	355	80	150	400	600	400	200	4623
C-1	Student Desk6	Desk	120	99	20	300	200	160	0	50	150	85	21	65	80	100	200	400	150	100	2300
C-2	Student Chair6	Chair	500	200	40	1000	500	320	0	100	440	200	35	355	160	100	500	800	201	200	5651
D-1	Teacher Desk (Classroom)	Desk	30	20	8	0	40	0	0	0	0	5	10	10	10	100	0	30	70	0	333
D-2	Teacher Desk (staff room)	Desk	80	20	20	20	40	45	16	100	50	5	7	0	0	100	45	40	70	0	658
D-3	Teacher Chair	Chair	40	100	25	50	0	30	0	100	50	20	40	0	21	102	0	40	150	0	768
D-4	Reading Table	Table	0	15	0	10	15	0	0	0	0	4	0	0	0	0	0	10	3	0	57
D-5	Working Table	Table	0	10	0	0	0	0	0	0	0	0	0	0	0	0	0	0	0	0	10
D-6	Technology lab.bench	Table	0	0	0	0	4	0	0	0	0	2	0	0	0	0	0	0	0	0	6
D-7	Computer Table student /Technology lab	Table	40	50	18	0	40	30	2	0	40	8	20	0	0	10	50	50	20	10	388
D-8	Student Drawing Table	Table	0	0	0	0	0	0	0	30	0	0	0	0	0	0	0	0	0	0	30

State Of Palestine  
Ministry Of Finance  
General Supplies Department



دولة فلسطين  
وزارة المالية  
مديرية اللوازم العامة

الرقم: .....

التاريخ: / /

NO	Item	Unit	Jenin	Qabatya	Tubas	Tulkarm	Nablus	S.Nablus	Salfet	Qalqilya	Ramallah	Birzeit	Jereco	Alram	Jerusalem	Bethlehem	N.Hebron	Hebron	S.Hebron	Yatta	Total Quantity
E-1	Headmaster/Officer Desk 75X70X150	Desk	0	5	4	0	20	10	0	5	5	5	0	0	5	15	0	10	0	3	87
E-2	Officer Desk 75X60X120	Desk	12	5	4	0	10	0	0	5	15	5	2	0	0	15	0	5	10	10	98
E-5	Computer Table(Wooden)	Table	0	0	4	10	5	0	0	10	6	4	0	0	0	9	0	2	0	10	60
E-6	Book Shelves	Cabinet	0	20	8	10	20	0	0	10	10	8	5	0	0	0	0	10	15	10	126
E-7	Wooden closet shelves with two bottom doors	Cabinet	0	0	4	0	20	10	0	10	5	3	0	0	0	5	0	5	0	10	72
F-1	Headmaster/Officer Chair	Chair	0	0	7	0	10	20	20	20	15	5	0	0	7	12	0	10	10	10	146
F-2	multipurpose chair	Chair	68	25	20	0	203	32	50	18	60	10	0	0	20	50	70	40	50	30	746
F-4	Stool Chair	Chair	20	100	0	0	100	0	0	100	100	40	0	0	0	0	0	50	100	30	640
G-1	Metal File Cabinet (4 Drawers)	Cabinet	0	0	1	10	10	0	0	5	6	3	0	0	0	8	0	10	5	2	60
G-2	Metal Cabinet (2 Doors)	Cabinet	15	4	4	0	20	10	19	3	10	2	4	0	4	0	10	5	10	10	130





التاريخ: / /

الرقم: .....

Distribution Table Tender No : 136 /2022

جدول توزيع المدارس (4 schools) School Furniture / JFA

NO	Item	Unit	Qalqilya	Hebron	S.Hebron	Yatta	Quantity
			Kafr Laqif Secondary Coed School	Al-kom basic School	Ali bin Abi Talib School	Um Al-Momenin Secondary School	
A-1	Student Desk4	Desk	0	80	120	0	200
A-2	Student Chair4	Chair	0	160	240	0	400
B-1	Student Desk5	Desk	0	0	80	160	240
B-2	Student Chair5	Chair	0	0	160	320	480
C-1	Student Desk6	Desk	60	0	0	100	160
C-2	Student Chair6	Chair	160	20	40	240	460
D-1	Teacher Desk (Classroom)	Desk	3	4	10	13	30
D-2	Teacher Desk (staff room)	Desk	0	15	15	15	45
D-3	Teacher Chair	Chair	3	19	25	28	75
D-4	Reading Table	Table	6	3	6	14	29
D-7	Computer Table student /Technology lab	Table	20	11	20	20	71
D-9	Examination Bed	Bed	0	1	1	1	3
D-10	Curtaion patient	Curtaion	0	1	1	1	3
E-1	Headmaster/Officer Desk 75X70X150	Desk	3	5	6	5	19
E-3	Middle table120*60	Table	1	1	1	1	4
E-4	Middle table60*60	Table	2	2	2	2	8
E-5	Computer Table (wooden)/Resource Room	Table	0	0	1	0	1
E-6	Book Shelves	Cabinet	10	5	10	10	35
E-7	Wooden closet shelves with two bottom doors	Cabinet	2	2	4	2	10
F-1	Headmaster / Officer Chair	Chair	3	5	6	5	19
F-2	Multipurpose Chair	Chair	8	15	16	76	115



/ / التاريخ:

الرقم: .....

NO	Item	Unit	Qalqilya Kafr Laqif Secondary Coed School	Hebron Al-kom basic School	S.Hebron Ali bin Abi Talib School	Yatta Um Al-Momenin Secondary School	Quantity
F-3	Visitor Chair (Wood /Chrome)	Chair	6	6	6	6	24
F-4	Stool Chair	Chair	41	0	41	41	123
G-1	Metal File Cabinet (4 Drawers)	Cabinet	2	4	4	4	14
G-2	Metal Cabinet (2 Doors)	Cabinet	4	5	11	15	35
G-3	Metal Cabinet (12 Doors)	Cabinet	0	2	2	2	6
G-4	Lab Locker	Cabinet	8	0	8	8	24
G-5	Sport Cabinet	Cabinet	0	0	0	2	2
G-6	Metal Cabinet (2 Doors)/Technology lab	Cabinet	1	0	1	1	3
G-7	Lab Locker/Technology lab	Cabinet	2	1	2	2	7
H-1	Student Desk/ Resource Room	Desk	0	0	7	0	7
H-2	Student Chair 6 /Resource Room	Chair	0	0	7	0	7
H-3	Student Chair 6/Technology lab	Chair	20	20	20	20	80
H-4	Stool Chair/Technology lab	Chair	30	0	30	30	90
H-5	Teacher Desk (Classroom)/Technology lab	Desk	1	0	1	1	3
H-6	Teacher Chair/Technology lab	Chair	1	0	1	1	3

